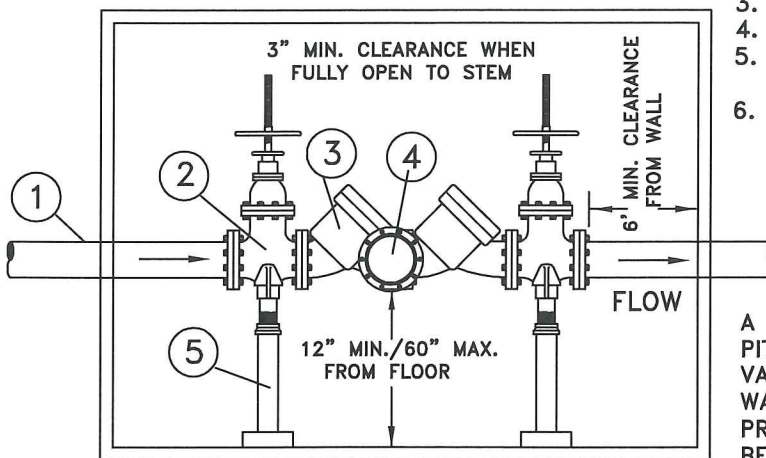


REQUIRED COMPONENTS

1. PVC C900 OR CLASS 52 D.I. WALL PIPE FL X FL
2. OS & Y GATE VALVE WITH HANDWHEEL FL X FL
3. APPROVED CHECK VALVE FL X FL
4. RELIEF VALVE FL
5. SUPPORT STANDS MANATORY FOR FOR ASSEMBLIES 2.5" & LARGER
6. TEST COCKS - 4 REQUIRED



A RPBA MUST NOT BE INSTALLED IN A PIT OR BELOW GRADE WHERE THE RELIEF VALVE COULD BECOME SUBMERGED IN WATER OR WHERE FUMES COULD BE PRESENT AT THE RELIEF-VALVE DISCHARGE, BECOME SUBMERGED IN WATER OR WHERE FUMES COULD BE PRESENT.

REFERENCE: AWWA MANUAL ON WATER SUPPLY PRACTICES M14

GENERAL NOTES:

- A. WHERE PIPING PASSES THROUGH VAULT WALL, PROVIDE WATERPROOF MASTIC OR FLEXIBLE SEALANT.
- B. DIAMETER OF PIPE AND FITTINGS FOR 2 1/2" OR GREATER.
- C. VAULT MUST BE EQUIPPED WITH AN ADEQUATELY SIZED FLOOR DRAIN OR SUMP PUMP.
- D. THOROUGHLY FLUSH LINES PRIOR TO INSTALLING BACKFLOW ASSEMBLY.
- E. CONCRETE PAD SHALL BE 4" THICK WITH 4" OF 3/4" MINUS BASE MATERIAL.
- F. A RPBA MAY PERIODICALLY DISCHARGE WATER FROM THE RELIEF VALVE. IF RP DISCHARGE IS PIPED TO A DRAIN, AN AIR-GAP SEPARATION MUST BE INSTALLED AT THE RELIEF VALVE.

**CITY OF LEWISTON, IDAHO
PUBLIC WORKS DEPARTMENT**

**REDUCED PRESSURE
BACKFLOW ASSEMBLY**

APPROVED FOR PUBLICATION

Shawn Stubbs 2/18/15
City Engineer Date

DWG. NO.

4-11